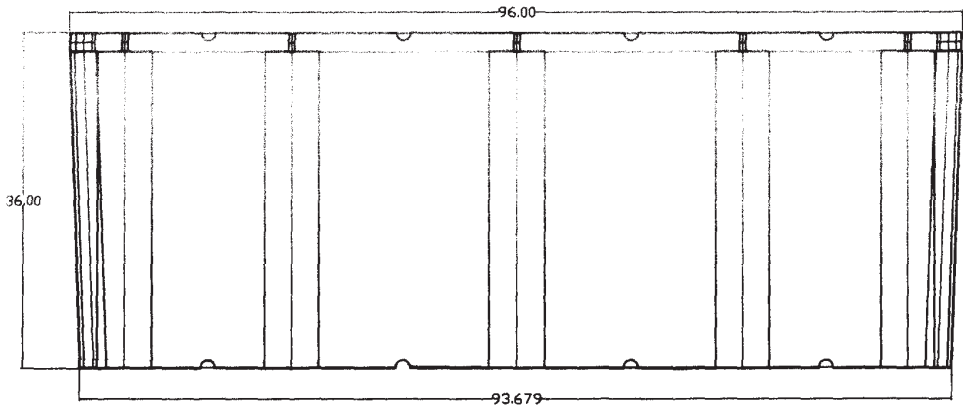
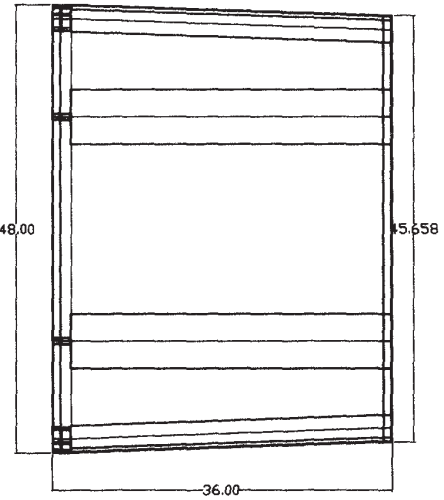
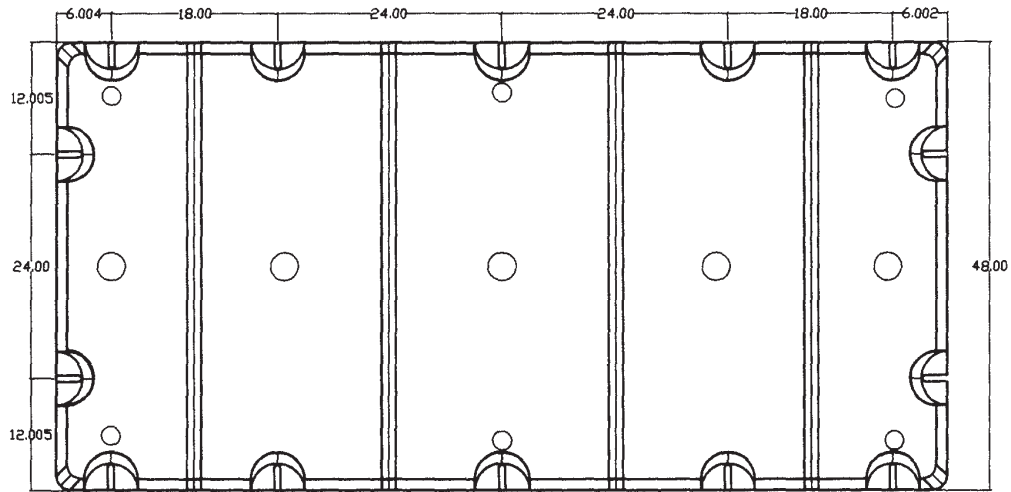


Rev	Date	By



NOTE: All dimensions are nominal. Due to shrinkage actual dims will be approx 1% less than shown.

Nominal Wall Thickness 0.15

<small>UNLESS OTHERWISE SPECIFIED</small> INCHES <small>UNSPECIFIED TOLERANCES</small> DECIMALS mm in .x ± .1 .xx ± .06 .xxx ± .083	HENDREN PLASTICS INC 1607 HWY 72 SE Gravette, AR 72736	
	DRAWN BY: JMH	DATE: 7-12-08
	MATERIAL:	
	PART NAME: 48X96X36 Eagle Float	
DESIGNED FOR:	A PART NO. 4836EF	<small>REV</small>

CONFIDENTIALITY NOTICE: This drawing is the sole property of Hendren Plastics Inc. It is intended only for the use of the individual or entity whose name appears on this drawing. Any unauthorized review, use, disclosure, or distribution is prohibited.